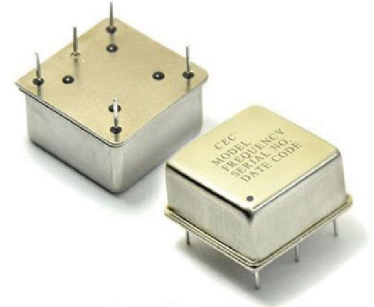


# OXB20 SERIES



Pb Free

RoHS Compliant  
Directive 2002/95/EC

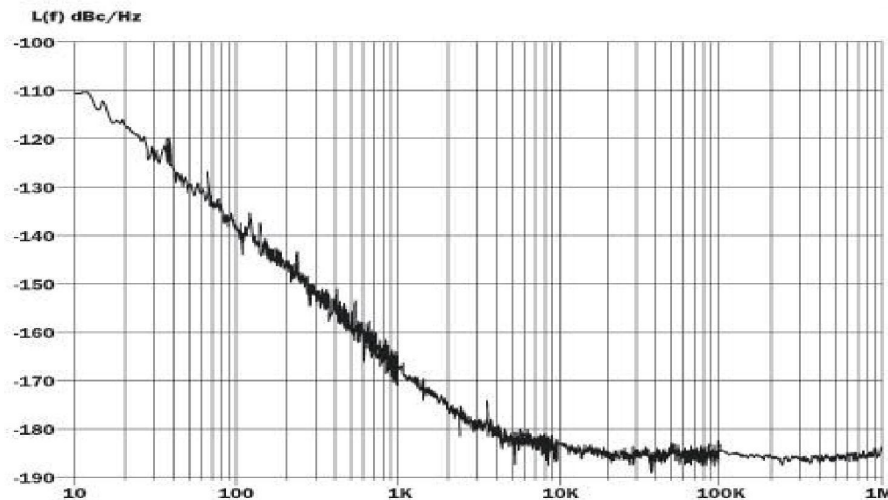
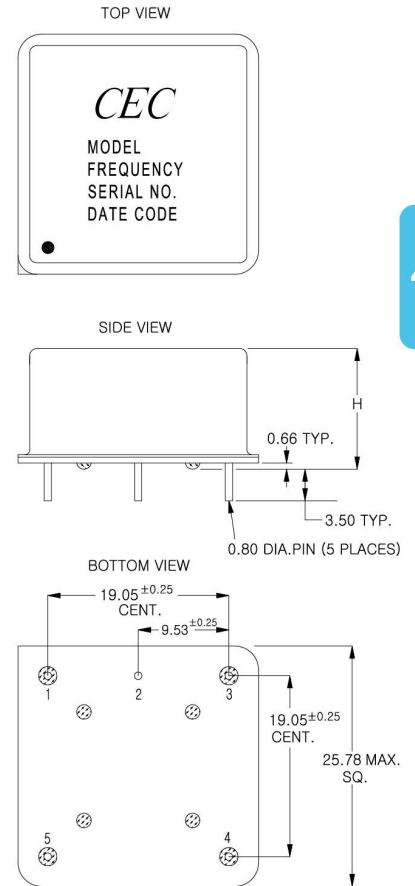
Part Number Guide	
<b>OXB20 - XXXXX - FREQ.</b>	
OXB20: OCXO-B Package/20 Series	
XXXXX: Input Voltage/Temp. Range/ Temp. Stability/Phase Noise/Adjustment Range	
FREQ.: Frequency in MHz	
Example: OXD20-BCJLA-10MHz (5V,±10ppb@ -20°C~70°C, -160dBc/Hz@1kHz,±0.5 ~±1.0ppm adjustment range)	

Parameters 参数	Coding Table 代码表
11 Frequency Range 频率范围	80MHz-120MHz
6 Input Voltage 输入电压	B:5V, C:12V
7 Temp. Range 温度范围	A: -40°C to 85°C, B: -30°C to 75°C, C: -20°C to 70°C
8 Temp. Stability 温度稳定度	J:±10ppb, K:±20ppb, P:±50ppb Q:±100ppb
9 Phase Noise 相位噪声	P:-162dBc/Hz@1kHz, U:-164dBc/Hz@1kHz, E:-166dBc/Hz@1kHz
10 Adjustment Range 调频范围	A: ±0.5ppm ~±1.0ppm N: No Adjustment

Voltage 电压	
Input Voltage 输入电压	5V±5%, 12V±5%
VCO Input Range 压控输入范围	0~4.5V, 0~10V
Reference Voltage 参考电压	4.5V, N/A

Typical Specification of 100MHz OCXO 典型指标			
Output Waveform 输出波形	Sine wave	Voltage Stability 电压稳定性	<±2ppb@Vcc±5%
Daily Aging 日老化	<±5ppb	Output Power 输出功率	>13dBm
Short Term Stability 短期稳定度	<0.05ppb/S	Warm-up Power 加热功耗	<3.5 Watts
Product Height 产品高度	12.7mm	Steady State Power 稳态功耗	<1.5 Watts @25°C

## Mechanical Dimensions 外形图



## PIN CONNECTIONS

PIN	FUNCTION
1	R. F. Output
2	GND
3	VCO Input or N/C
4	Reference Voltage or N/C
5	+VCC

Unit: mm